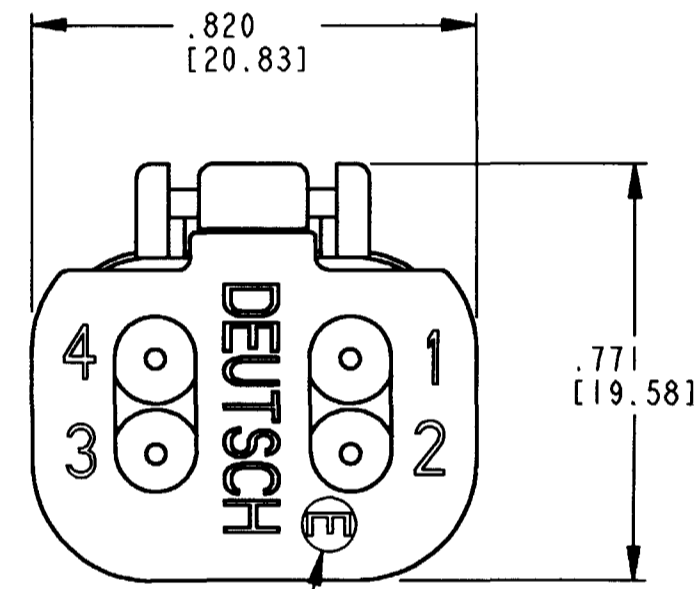
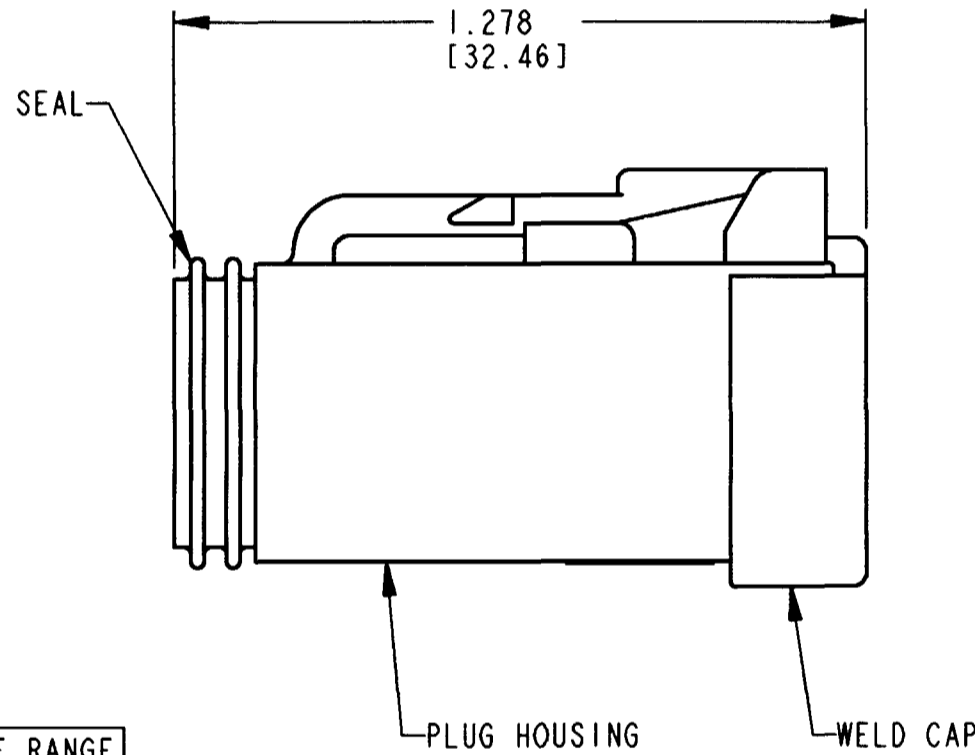
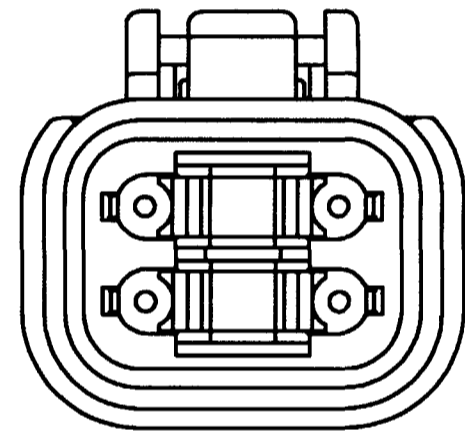


REV
A DT06-4S-CE01

REVISIONS			
SYM	DESCRIPTION	DATE	APPROVED
NC	NEW RELEASE PER E.O. P15117	8-22-96	RDR
A	REVISED PER E.O. P16051	5-4-99	RDR



MARK DESIGNATES REDUCED WIRE SEALS.

CONTACT SIZE	MIN. INSUL O.D.	MAX. INSUL O.D.	WIRE RANGE [mm ²]
16	.053 [1.35]	.120 [3.05]	14-20 AWG [2.0-0.5]

- NOTES:
- DIMENSIONS ARE IN INCHES [MILLIMETERS].
 - DIMENSIONS ARE ±.025[0.63] UNLESS OTHERWISE SPECIFIED.
 - FOR CONTACTS AND WIRE PERFORMANCE AND APPLICATION CHARACTERISTICS SEE ENVELOPE DRAWING 0425-015-0000 AND 0425-017-0000.
 - THIS PLUG MATES WITH THE DT04-4P-**** RECEPTACLE (**** = ALL MODIFICATIONS). CONSULT FACTORY FOR MODIFICATIONS.

SIGNATURE & DATE	
DR	D. SPENCER 03FEB99
CHK	D. Jones 4-22-99
PE	D. Jones 4-22-99
APPD	R. Rad 5-4-99
SCALE	3:1 WT

4 WAY PLUG
REDUCED DIA. WIRE SEAL
CE01 MODIFICATION
DT SERIES

ENVELOPE

CP	MTL. CODE
The Deutsch Company DEUTSCH I.P.D. 3850 INDUSTRIAL AVE. HEMET, CALIF. 92545	
B	DT06-4S-CE01
DWG SIZE	CODE 11139 SHEET 1 OF 1